

# Quick Installation Guide

## NComputing L-Series access terminals



Your NComputing access terminal works with the following operating systems:

- Windows
- Linux

Operating system support may change without prior notice. Please see our website for the latest operating system support information.

© 2007 NComputing. All rights reserved. Specifications subject to change without notice. NComputing® is the property of NComputing and may be registered in USA and other countries. Microsoft and Windows are registered trademarks of Microsoft Corporation. Other trademarks and trade names are the property of their respective owners.

### Step 1 Connect the access terminal

**L230 / L130**

Power Indicator, Network Indicator, Ready Indicator

**L230**

1, 2, 3, 4, 5, 6, 7

**L130**

1, 2, 3, 4, 5, 6, 7

**L120 / L200**

Ready Indicator, Network Indicator, Power Indicator

1, 2, 3, 4, 5, 6, 7

\*L230/L200 only.

1 USB Flash memory port *	4 Video port	7 Power on/off switch
2 LAN port (RJ45)	5 Speaker output	8 Microphone input
3 Mouse/keyboard port	6 DC power input	

Power on/off switch

USB flash memory

MIC cable

Speaker cable

PS2 keyboard cable

PS2 mouse cable

Power cable

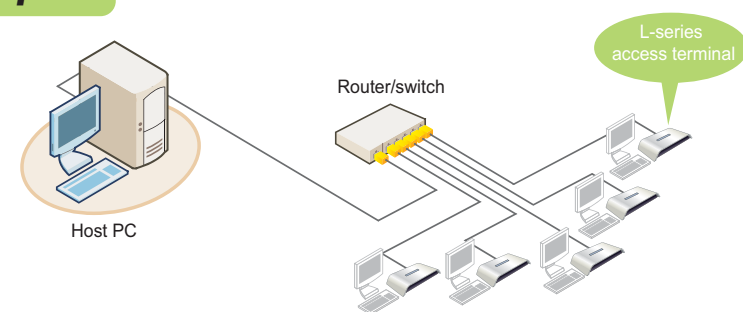
Video cable

LAN cable (RJ45)

Port and power switch locations may vary. Peripherals are not included.

**Note** Configure the access terminal first, and then install the host PC software.

### Step 2 Hardware Installation



### Step 3 Configure the access terminal

Click the "Options" button

Click the "Setup" button

Click the "Setup" button

Get Dynamic IP Address

- 1 Select the "Network" tab
- 2 Select the "Dynamic IP address" radio button
- 3 Click the "Save" button

Use Static IP Address

- 1 Select the "Network" tab
- 2 Select the "Use Static IP Address" radio button
- 3 Enter the static IP address for the access terminal
- 4 Click the "Save" button

- Select the "Options" tab

- In the "Server Connection List," select "Autodetection" and click on the "Edit" button.

- Set the desired video resolution in the "Desktop Size" section.

- Click the "OK" button.

- Click the "Save" button in the "Setup" window

### Step 4 Software Installation

**Note** : Connect the access terminals and the host PC to the network when installing and registering the software. This assures the software will retrieve and register the serial numbers from each access terminal via the Ethernet connection.



- Run the installation program instructions.
- Follow the on-screen instructions.
- Add new users as necessary.

Administrator

Norton AntiVirus

Online Books

PC Doctor for Windows

SoundMAX

StartUp

Vital Source Technologies

VMware

Adobe Reader 6.0

SIM Java Player: Control Panel 1.4.1.1

Real PC/OS Installer

Internet Explorer

MSN Explorer

Outlook Express

Remote Assistance

Windows Media Player

Windows Messenger

Norton Ghost 2003

NShield

NCT-2000-IP Console

NCT-2000-IP Internet registration

NCT-2000-IP Internet Update

Uninstall NCT-2000-IP

- After the reboot is complete, register the software and the access terminals by launching "Product Registration" and following the instructions.

- If you are adding additional access terminals to an existing installation, you must register each access terminal

- Register the new access terminal(s) by launching "Product Registration" and following the instructions.

### Step 5 Use the access terminal

Select the host PC, or server, and click the 'Connect' button.

### Step 6 How to use the VESA mounting bracket

